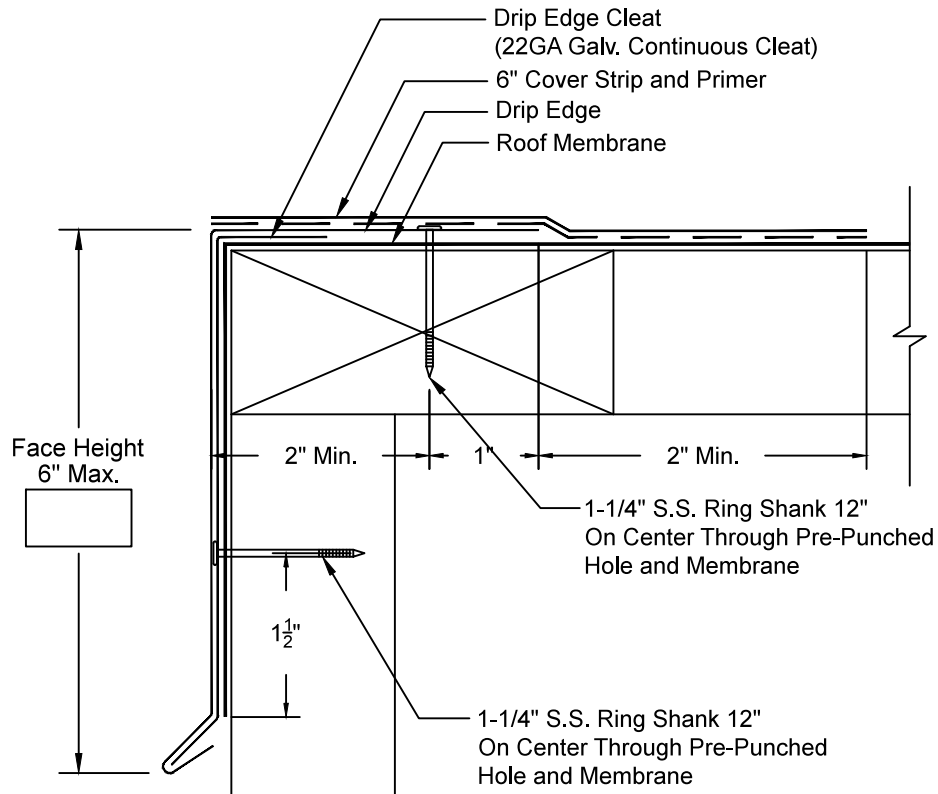


Drip Edge

ANSI/SPRI ES-1 CERTIFIED: .040" Aluminum = 410 psf, 24GA Steel = 390 psf



- Continuous Cleat and fasteners provided.
- Concealed Splice Plates provided.
- Splice Plate Sealant available for extra charge.

QUANTITIES:

Lineal Feet (10'-0" Lengths): _____

Outside Miters** : _____ Optional Welded (Surcharge Applies)

Inside Miters** : _____ Optional Welded (Surcharge Applies)

Right End Caps** : _____ Optional Welded (Surcharge Applies)

Left End Caps** : _____ Optional Welded (Surcharge Applies)

Splice Plate Tape Sealant: Optional Sealant (Surcharge Applies)

** Standard riveted

PRINT APPROVAL:

Architect and/or Contractor shall verify all dimensions, sizes, and quantities, All products to be installed in strict accordance with Par-Troy printed instructions.

Approved By: _____

Date: _____

MATERIAL:

24GA .040" AL

Other: _____

Finish: _____

Color: _____

Effective Date: 2-20-14

Drawn By: J.S.

Approved By: B.P.

PROJECT:

ARCHITECT:

ROOFING CONTRACTOR:

REPRESENTATIVE:



Par-Troy Metals LLC.
 122 Clinton Road
 Fairfield, NJ 07004
 PH:(973) 227-1150
 FAX:(973) 227-2757
 www.par-troy.com