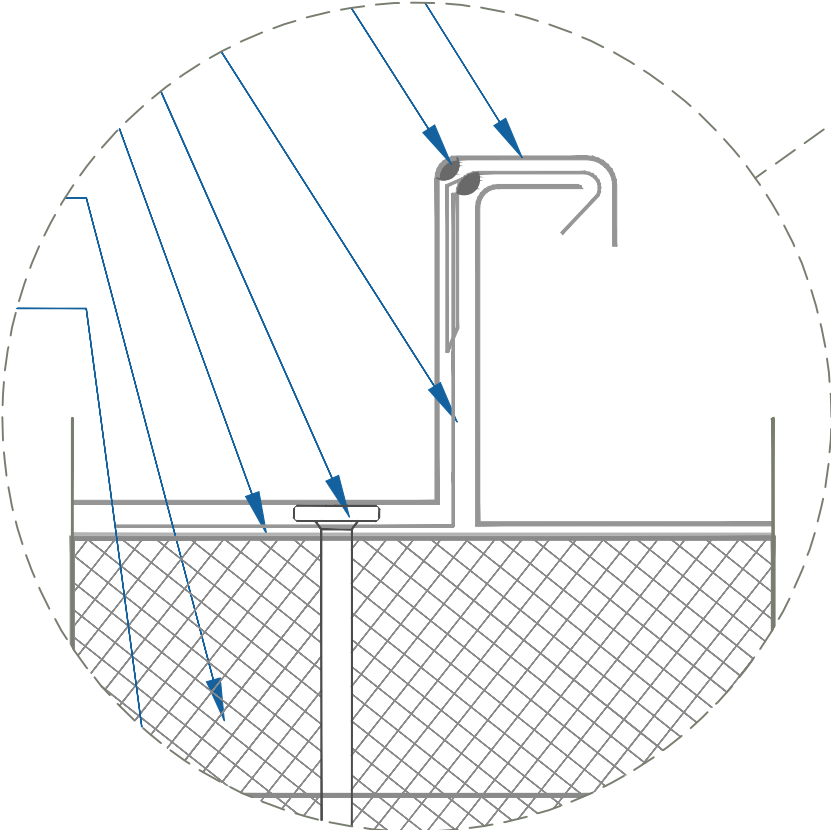


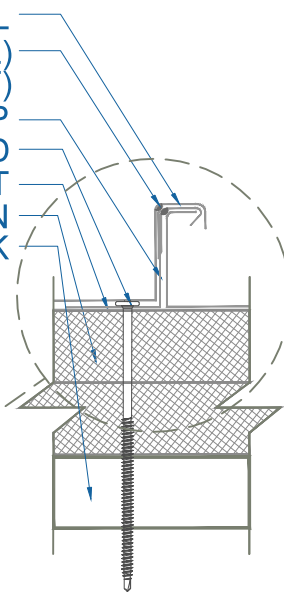
# DMC 200S - ISO w/ METAL DECK

- DMC 200S PANEL
- DREXEL APPROVED SEALANT (OPTIONAL)  
(FIELD OR MACHINE APPLIED SEALANT)
- DMC 200S BUTTERFLY CLIP
- (2) #14 - 13 x ?" PHDD
- METSHIELD UNDERLAYMENT
- ISO INSULATION
- METAL DECK

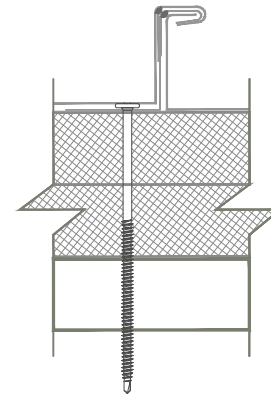
ZOOMED IN VIEW



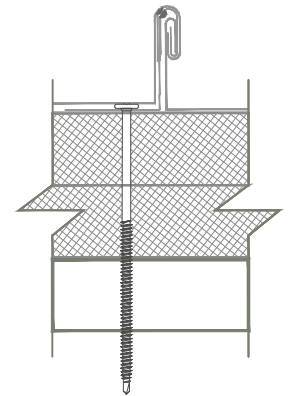
NTS



CROSS SECTION  
BEFORE SEAMING



CROSS SECTION  
90° SEAMING



CROSS SECTION  
180° SEAMING

SEAMER TOOL RENTAL  
 SEAMER TOOLS, INC.  
 8265 HIGHWAY 178  
 OLIVE BRANCH, MS 38654  
 PH:(662)895-1222  
 FAX:(662)890-4775  
 RENT@SEAMERTOOLS.COM

## INSTALLATION DETAIL

SCALE: 3" = 1'-0"



EFFECTIVE DATE: 04-12-2013  
 SUBJECT TO CHANGE WITHOUT NOTICE