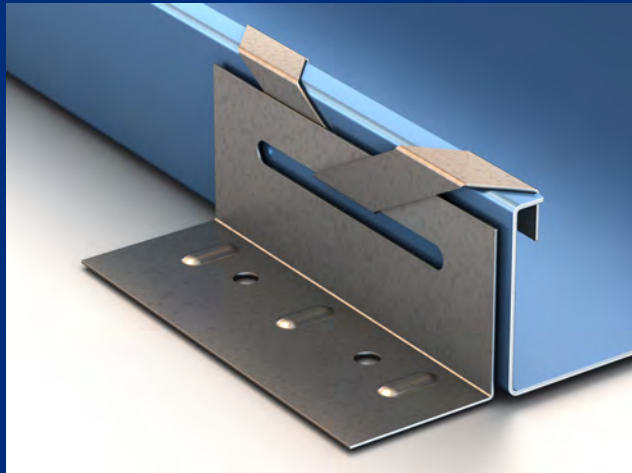


# Drexel Metals Clips and Accessories



Your machine makes one component of the total metal roof system. Drexel Metals has invested millions of dollars to ensure our metal roof system meet the required building codes. Together with our QA program, DM-ARM Authorized Fabricator and Certified Installer program you can install the total Drexel Metals system with the peace of mind that Drexel metals will stand behind our products 100%. Enroll in our Gold Standard Paint Warranty program, and you will have a competitive advantage to compete with anyone! Our Gold Standard Paint Warranty is the strongest warranty in the industry covering labor and materials and is also transferrable for the life of the warranty.



S i m p l i f y i n g   M e t a l   R o o f i n g   S y s t e m s

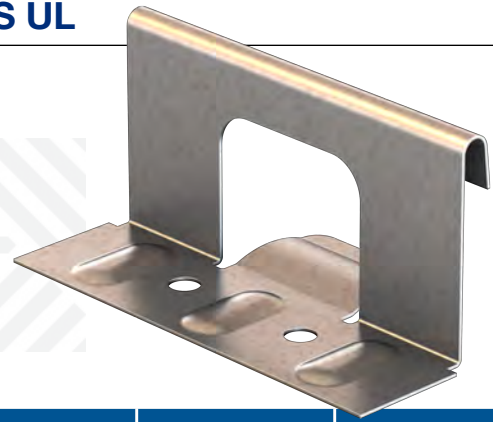


Architectural • Commercial • Restoration/Custom

# Snap Lock Clips

Panel: DMC 175

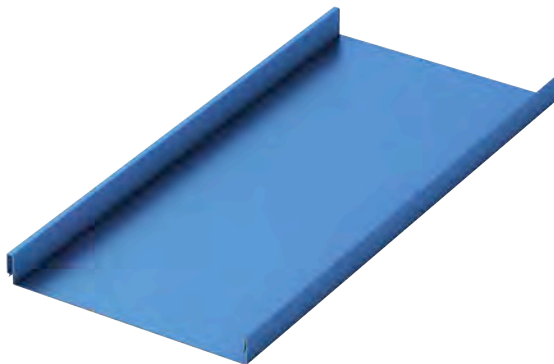
Clip: DMC 175S UL



Part No.	Product	PCS/Box	Stock
2002	HD Galv.	250	In stock
2007	Stainless	250	In stock

Panel: DMC 175

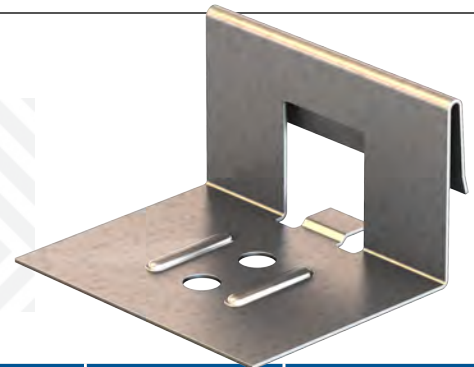
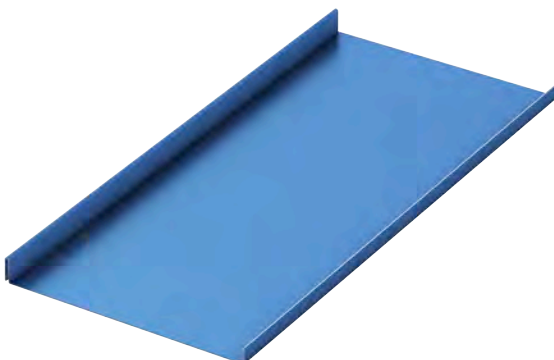
Clip: DMC 175S Non UL



Part No.	Product	PCS/Box	Stock
2014	HD Galv.	400	In stock
2037	Stainless	400	3-5 days

Panel: DMC 150SL

Clip: DMC 150SL

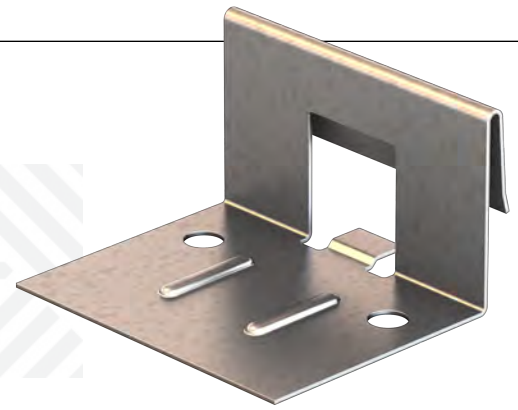
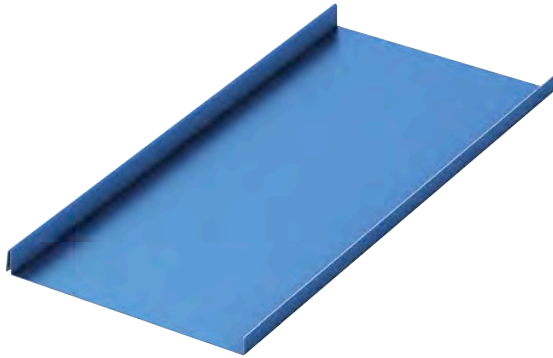


Part No.	Product	PCS/Box	Stock
2000	HD Galv.	800	In stock

# Snap Lock Clips

Panel: DMC 450

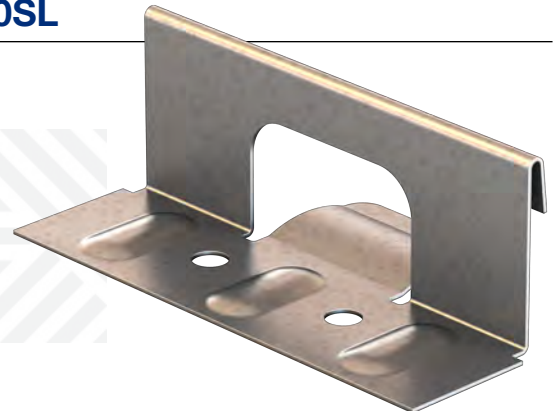
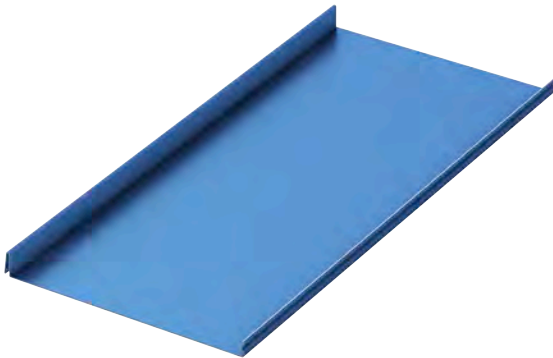
Clip: DMC 450



Part No.	Product	PCS/Box	Stock
2058	HD Galv.	800	In stock

Panel: DMC 450SL

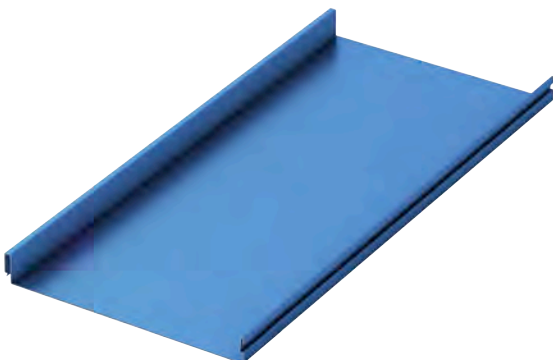
Clip: DMC 450SL



Part No.	Product	PCS/Box	Stock
2060	HD Galv.	250	In stock

Panel: DMC 550

Clip: DMC 550

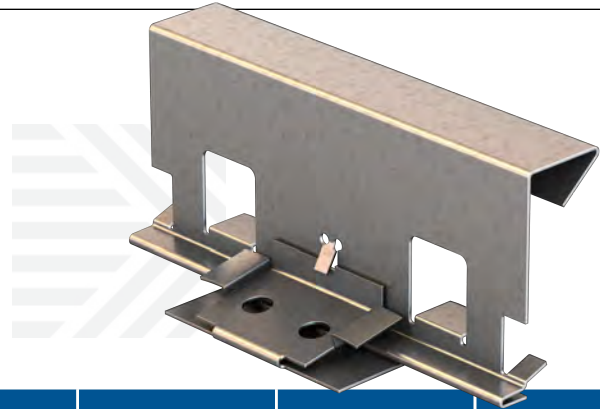
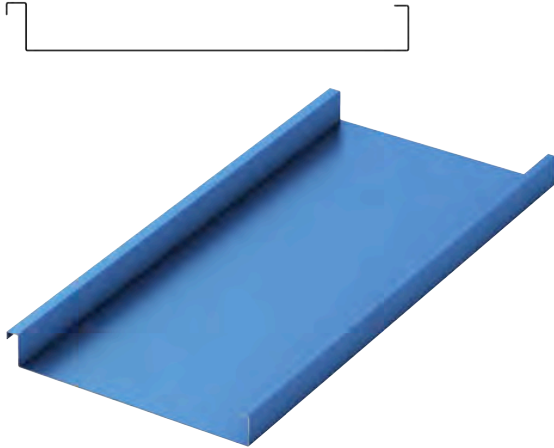


Part No.	Product	PCS/Box	Stock
2051	HD Galv.	400	In stock

# Standing Seam Clips

Panel: DMC 200SS

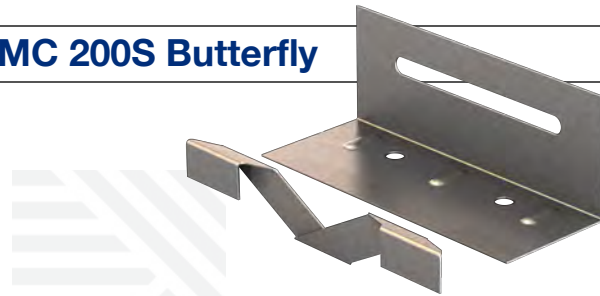
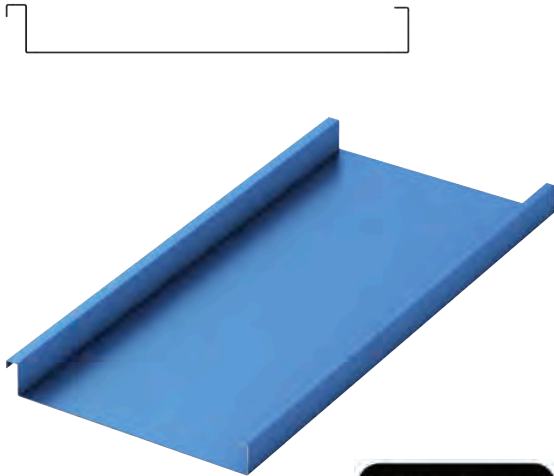
Clip: DMC 200S Floating



Part No.	Product	PCS/Box	Stock
2062	HD Galv.	110	In stock

Panel: DMC 200SS

Clip: DMC 200S Butterfly

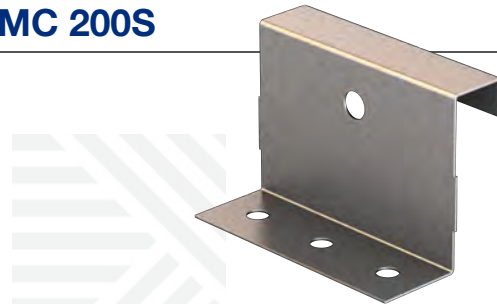
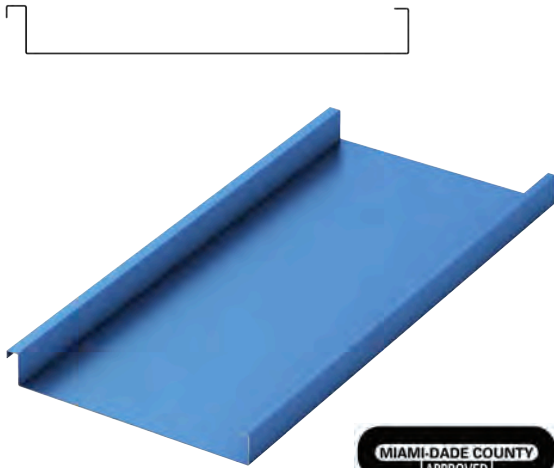


Part No.	Product	PCS/Box	Stock
2003	HD Galv. Top	150	In stock
2005	HD Galv. Base	150	In stock
2024	Stainless Top	150	3-4 weeks
2025	Stainless Base	150	3-4 weeks
2026	HD Galv. 10'	1	In stock



Panel: DMC 200SS

Clip: DMC 200S



Part No.	Product	PCS/Box	Stock	Gauge
2038	HD Galv	600	In stock	22
2039	Stainless	600	3-5 days	22
2013	HD Galv.	600	3-5 days	24



# Standing Seam Clips

Panel: DMC 150SS

Clip: DMC 150SS Butterfly



Part No.	Product	PCS/Box	Stock
2008	HD Galv. Top	200	In stock
2006	HD Galv. Base	200	In stock
2035	Stainless Top	200	3-4 weeks
2036	Stainless Base	200	3-4 weeks
2030	HD Galv. 10'	1	In stock

Panel: DMC 150SS

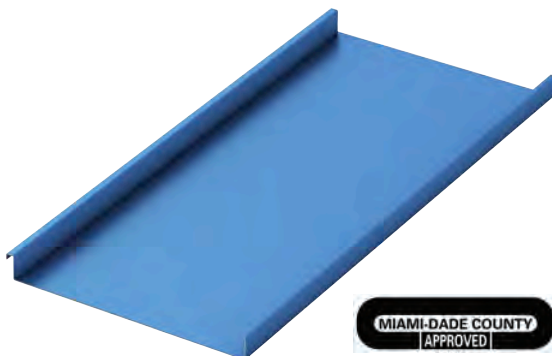
Clip: DMC 150SS



Part No.	Product	PCS/Box	Stock	Gauge
2004	HD Galv.	800	In stock	24
2053	Stainless	1000	3-5 days	24
2012	HD Galv.	800	In stock	26

Panel: DMC 150SS

Clip: DMC 150SS

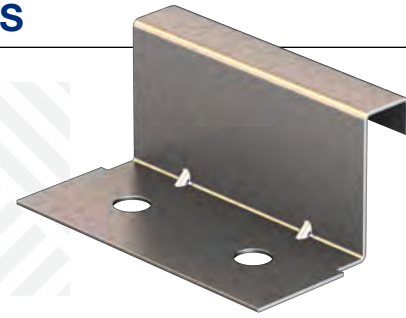
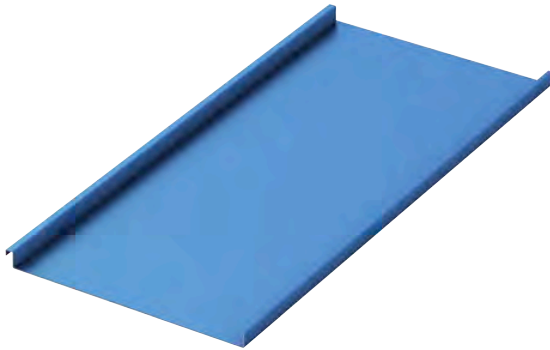


Part No.	Product	PCS/Box	Stock
2056	HD Galv.	250	In stock

# Standing Seam Clips

Panel: DMC 100SS

Clip: DMC 100SS

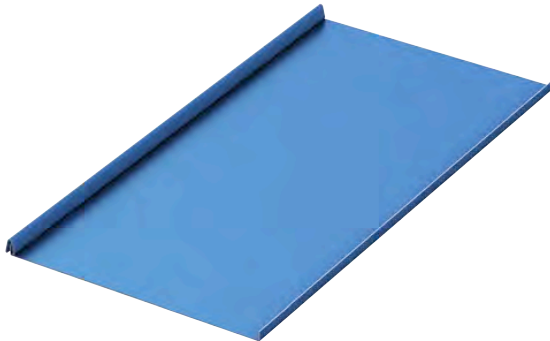
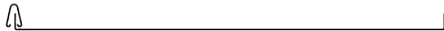


Part No.	Product	PCS/Box	Stock	Gauge
2019	HD Galv.	800	In stock	24
2034	Stainless	1000	3-5 days	24
2001	HD Galv.	800	In stock	26

# Batten Clips

Panel: DMC Cap Seam

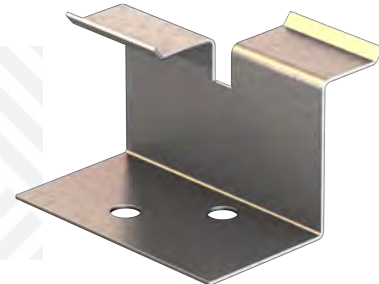
Clip: DMC Cap Seam 1-1/2 in.



Part No.	Product	PCS/Box	Stock
2047	HD Galv.	500	3-5 days
2048	Stainless	500	3-5 days

Panel: DMC Cap Seam

Clip: DMC Cap Seam 1 in.

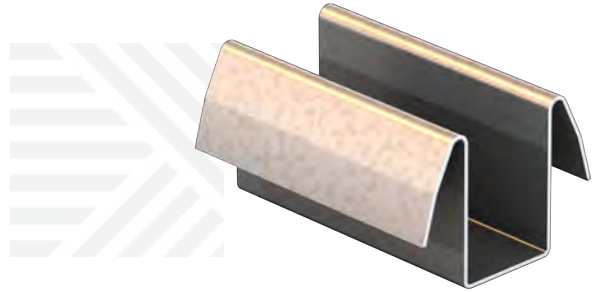
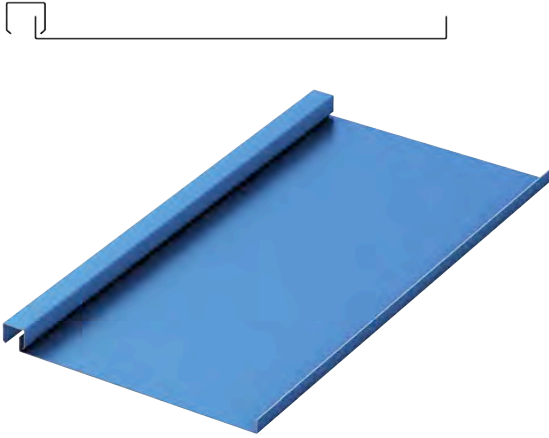


Part No.	Product	PCS/Box	Stock
2047	HD Galv.	500	3-5 days
2048	Stainless	500	3-5 days

## Batten Clips

Panel: Snap-On Batten

Clip: Snap-On Batten

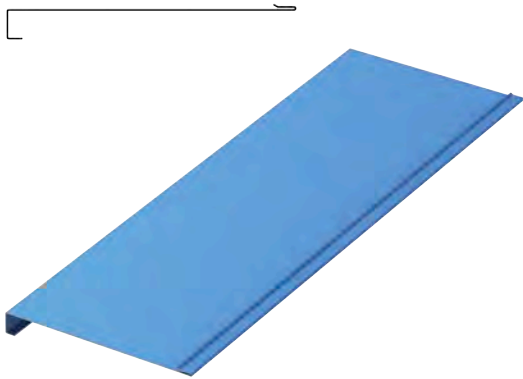


Part No.	Product	PCS/Box	Stock
2049	HD Galv.	1000	3-5 days
2050	Stainless	1000	3-5 days

## Bermuda Clips

Panel: Bermuda Horizon

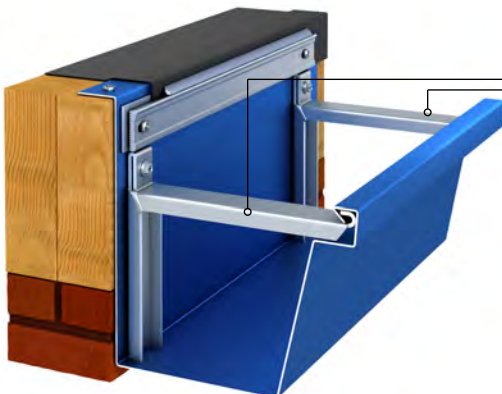
Clip: Bermuda Horizon



Part No.	Product	PCS/Box	Stock
2068	HD Galv.	1000	3-5 days
2069	Stainless	1000	3-5 days







## Gutter Hangers

GD-1 Hangers for 7-inch Box Gutter



Part No.	Product	PCS/Box	Stock
12005	Aluminum	12	In stock

# Fasteners

Product	Product Name	DMC Part No.	Available Lengths	Carton Quantity
<p>For use with any Drexel Metals metal roofing system installed over plywood or wood trusses. Stainless is required when installing over any pressure treated or marine grade plywood.</p> 	#10-13 Pancake Screw A point	Carbon: 1" – #3002 1.5" – #3003  Stainless: 1" – #3004 1.5" – #3011	1" 1.5" Drexel Metals stocks Part No. 3002, 3003 and 3004	5K Screws – 1" 3K Screws – 1.5"
<p>For use with any Drexel Metals metal roofing product installed over steel decking or metal trusses. Perfect for metal to metal applications!</p> 	#10-16 Pancake Screw Self Driller	#3017	1" Drexel Metals stocks Part No. 3017	5K Screws
<p>For use with any Drexel Metals metal roofing system installed over plywood decks or wood trusses.</p> 	#10-9 Low Profile Clip Screw	#3001	1.125" Drexel Metals stocks Part No. 3001	5K Screws – 1.125"
<p>For use with any Drexel Metals metal roofing system installed over rigid insulation</p> 	#14-13 Pancake Screw	Carbon: 2" – #3024 3" – #3026 8" – #3032  Stainless: 1.5" – #3023 3" – #3027 (Up to 9") 9" – #3034"	1.5", 2", 3", 4", 4.5", 5", 6", 7", 8" and 9" (3 day lead-time)	2,5K Screws – 1.5" 1K Screws – 2" and 3" 1K Screws – 4" to 8" 500 Screws – 9"
<p>For use with any Drexel Metals metal roofing system installed with an exposed fastener into wood.</p> 	#10-14 Panel Tite WOOD Screws	3000-Color	1", 1.5", 2", 2.5" and 3" Drexel Metals stocks 1.5" painted in our standard colors	3K Screws – 1" 2,5K Screws – 1.5" 2K Screws – 2" 1,5K Screws – 2.5" 1K Screws – 3"
<p>For use with any Drexel Metals metal roofing system where metal to metal needs to be sealed. Perfect for floating panels.</p> 	#12-14 Zinc Cap Head	3300-Color	1", 1.25", 1.5" and 2" (5-7 day lead-time)	2,5K Screws – 1" 2K Screws – 1.25" 1,5K Screws – 1.5" and 2"

Drexel Metals has access to additional fasteners to fit your needs (self drillers, stitch screws, etc.).  
Please call your local sales representative or our technical office.



# Drexel Metals Underlayment

## MetShield High-Temp Underlayment

DM Part No.	Product	Sq Ft Per Roll	Rolls Per Pallet	Stock
13000	MetShield Peel and Stick	198 SF	25	In stock
13002	MetShield Peel and Stick LOW TEMP	195 SF	25	In stock

**MetShield**  
High-Temp Underlayment

## MetShield Synthetic Underlayment

DM Part No.	Product	Sq Ft Per Roll	Rolls Per Pallet	Stock
13001	MetShield Peel and Stick	1000 SF 931 SF Area	36	In stock

**MetShield**  
Synthetic Underlayment

## Painted and Mill-Finished Rivets



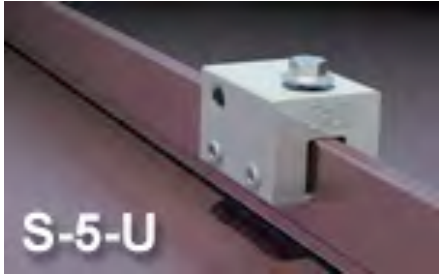
DM Part No.	Product	Qty Per Box	Stock
4000 Color	#43 Painted Rivet	250	In stock
4000 MF	#43 Mill-Finished Rivet	250	In stock



## The Original Kynar® Air-Dry Paint Pen

DM Part No.	Product	Qty Per Box	Stock
1000 Color	Paint Pen	1	In stock

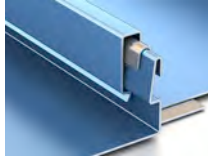
## S-5-U Clamps



S-5-U Clamps work with these Drexel Metals Panel Seam Profiles:



DMC 200S  
90° Seam



DMC550S



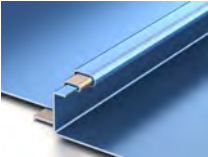
DMC 200S  
180° Seam

DM Part No.	Product	Qty Per Box	Stock
7001	S-5-U	30 units per box	In stock

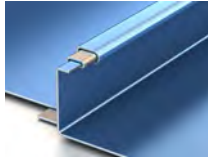
## S-5-E Clamps



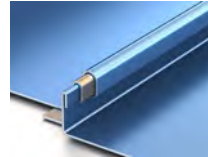
S-5-E Clamps work with these Drexel Metals Panel Seam Profiles:



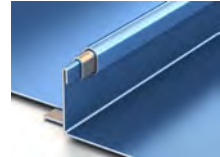
DMC100SS  
90° Seam



DMC150SS  
90° Seam



DMC100SS  
180° Seam



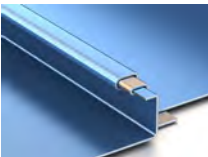
DMC150SS  
180° Seam

DM Part No.	Product	Qty Per Box	Stock
7004	S-5-E	60 units per box	In stock

## S-5-S Clamps



S-5-S Clamps work with these Drexel Metals Panel Seam Profiles:



DMC100SS – 90° S  
DMC150SS – 90° S



DMC150SL



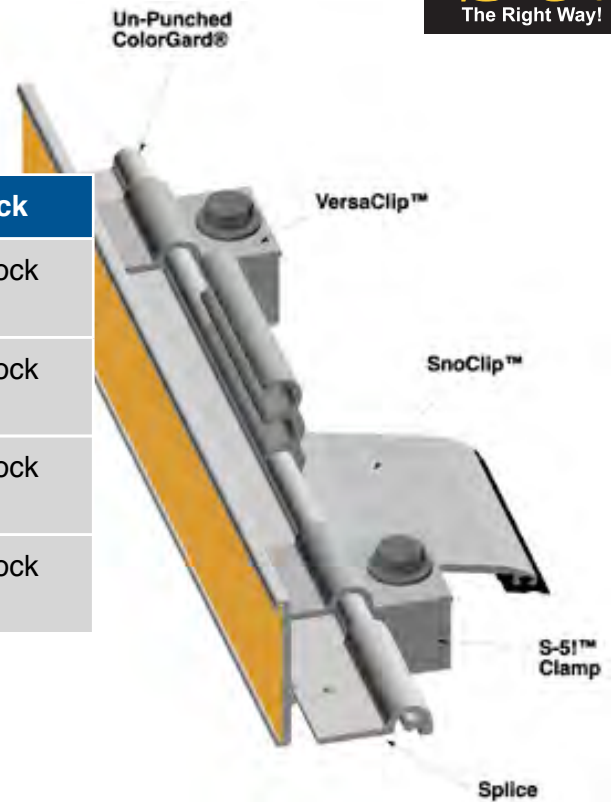
DMC175S



DMC Cap Seam

DM Part No.	Product	Qty Per Box	Stock
7006	S-5-S	30 units per box	In stock

DM Part No.	Product	Qty Per Box	Stock
7003	Colorgard® Unpunched	12 units per box	In stock
7000	VersaClip	150 units per box	In stock
7002	SnoClip II	66 units per box	In stock
7005	SnoClip III	40 units per box	In stock



## Drexel Metals Butyl Tape



DM Part No.	Product	Dimensions	Rolls Per Box	Stock
8000	Double Bead Butyl Tape	3/16" x 7/8" x 40'	10	In stock

## Drexel Metals Sealant

DM Part No.	Product	Qty Per Box	Stock
5000	Urethane Sealant	24	In stock
5005-CC	Color Urethane Sealant	12	3-5 days
5004	Seam Adhesive 915	1	3-5 days
5003	Seam Adhesive 70-05A	1	3-5 days

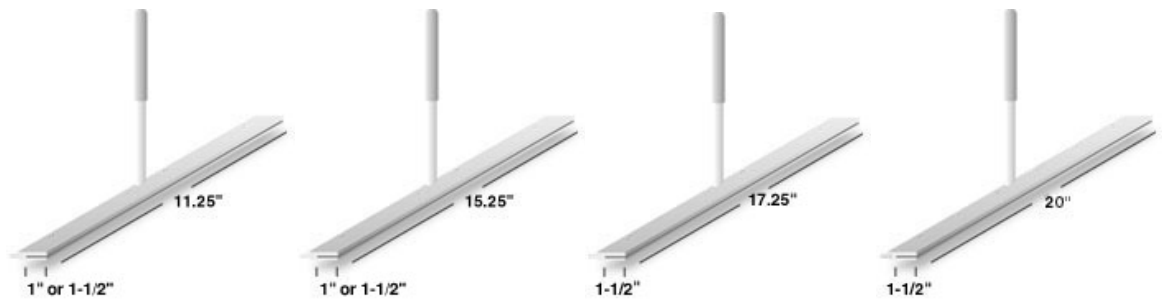


## Drexel Metals Pipe Boots



DM Part No.	Product	Size Range	Stock
6000	# 2	1¼" to 3¼" Pipe	In stock
6001	# 3	¼" to 4" Pipe	In stock
6002	# 4	3" to 6" Pipe	In stock

Drexel Metals has access to larger pipe boots as well high temp boots, color boots, retro-fit and square base with a 3 to 5 day lead-time. Please call your local sales representative or our technical office.



## Hemming Tools

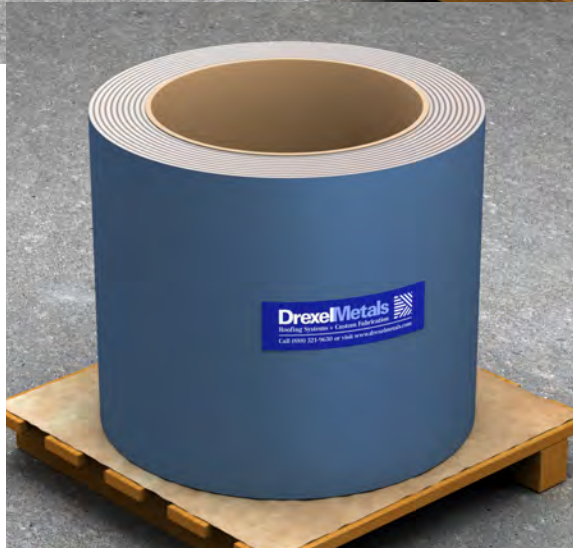
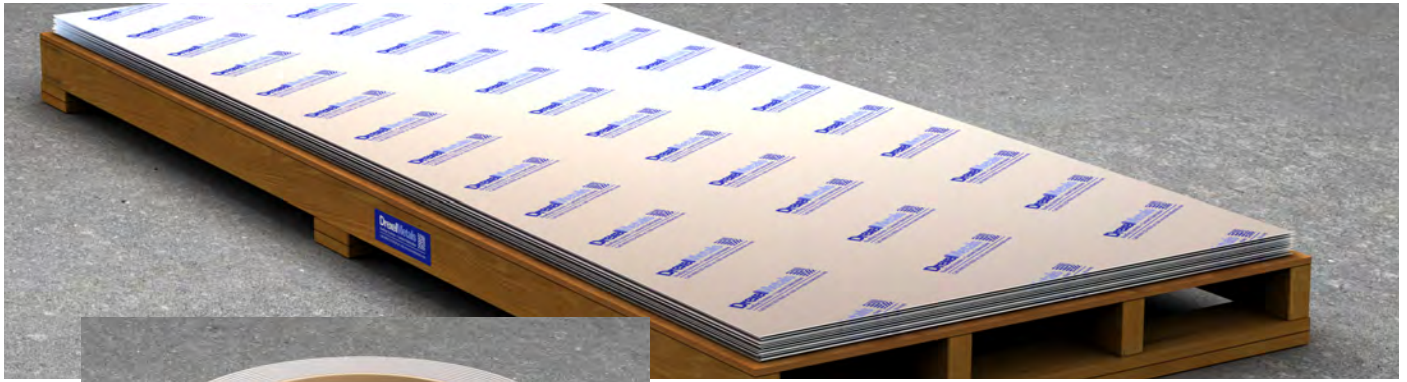
DM Part No.	Product	Qty Per Box	Stock
9018	12" Hemming Tool	1	In stock
9028	16" Hemming Tool	1	In stock
9041	18" Hemming Tool	1	In stock
9050	20" Hemming Tool	1	In stock
9004	15.25" Combo Tool	1	In stock

## Hand Seamers



DM Part No.	Product	DM Panel	Stock
9005	90 Hand Seamer	100SS / 150SS	In stock
9010	90 Hand Seamer	200S	In stock
9000	180 Hand Seamer	100SS / 150SS	In stock
9015	180 Hand Seamer	200S	In stock

# Metal Stock Options



## Stock Options:

**Flat Sheet** – For all trim and fabrication applications.

**Slit Coil** – For field-rolled, site-formed panels.

## Standard Substrate Options:

**Aluminum** – High-performance painted metal roofing product, tension leveled for superior flatness.

**Galvalume** – High-performance painted metal roofing product, tension leveled for superior flatness.

**Drexlume** – Mill-finished Galvalume with a two-sided, clear acrylic finish.

# Specialty Metals

There's an art to working with specialty metals – and in our skilled hands your concepts and design challenges will be clearly defined and meticulously achieved. Specialty metals can be fabricated into a host of panels and shapes to your exact specifications.

## Natural Metals:

- Copper
- Zinc
- Terne-Coated Stainless Steel
- A606 Natural Weathering Steel
- Nordic and Pre-Patinated Copper



# On Demand Delivery and Exceptional Results

You can depend on Drexel Metals' quality materials and excellent service for your entire sheet and slit coil needs. We stock coil for your site-formed panels, and flat material for all trim and fabrication applications. With our cut-to-length and recoil system each order is fulfilled quickly and accurately.



---

Since 1985, Drexel Metals has provided a full range of superior-quality engineered metal roofing systems, equipment and custom fabrication services. Drexel Metals operates several sales, fabrication and distribution locations throughout the US. In addition to our own manufacturing abilities we extend our fabrication capacities to our local DM-ARM members, who are authorized fabricators, certified Installers and distributors that further market Drexel Metals proven-brand products, all site-certified by Drexel Metals' industry-leading warranty programs. It's what we like to call Metal Roofing "On Demand"!

Driven by the tenets of customer service and integrity, Drexel Metals on demand approach, premium quality fabrications and cost efficiency have landed our company, in terms of industry prestige, in the same place where our state-of-the-art roofs sit on a building-at the top. Using local empowerment, made-in-America sensibilities, and crafting a safe, attractive and endlessly reliable product, Drexel Metals looks to remain in our deservedly lofty perch. Thanks for your business!

**Please call us if your product is not listed . . . we will use our experience to ensure we supply with the right product to make your projects more profitable and more efficient.**



## Sales and Distribution Locations

### Corporate Office and MidWest Sales Region:

1234 Gardiner Lane  
Louisville, KY 40213  
888-321-9630 toll free  
502-690-6174 fax

### Northeast / MidAtlantic Sales Region:

2101 Green Lane, Suite C  
Levittown, PA 19057  
888-321-9630 toll free  
877-321-9638 fax

### MidAtlantic Sales Region:

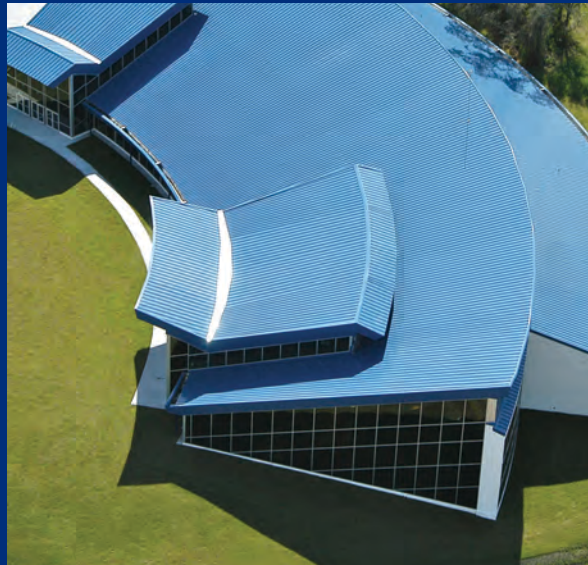
7450 Montevideo Road  
Jessup, MD 20794  
800-863-8322 toll free  
410-799-9913 fax

### Southeastern Sales Region:

3360 Scherer Drive N., Suite A  
St. Petersburg, FL 33716  
888-321-9630 toll free  
727-572-7910 fax

### Western Sales Region:

5981 Broadway  
Denver, CO 80216  
888-321-9630 toll free  
303-340-0982 fax



**DrexelMetals**   
Roofing Systems + Custom Fabrication

1234 Gardiner Lane • Louisville, KY 40213  
888-321-9630 toll-free • 502-690-6174 fax • [www.drexelmetals.com](http://www.drexelmetals.com)