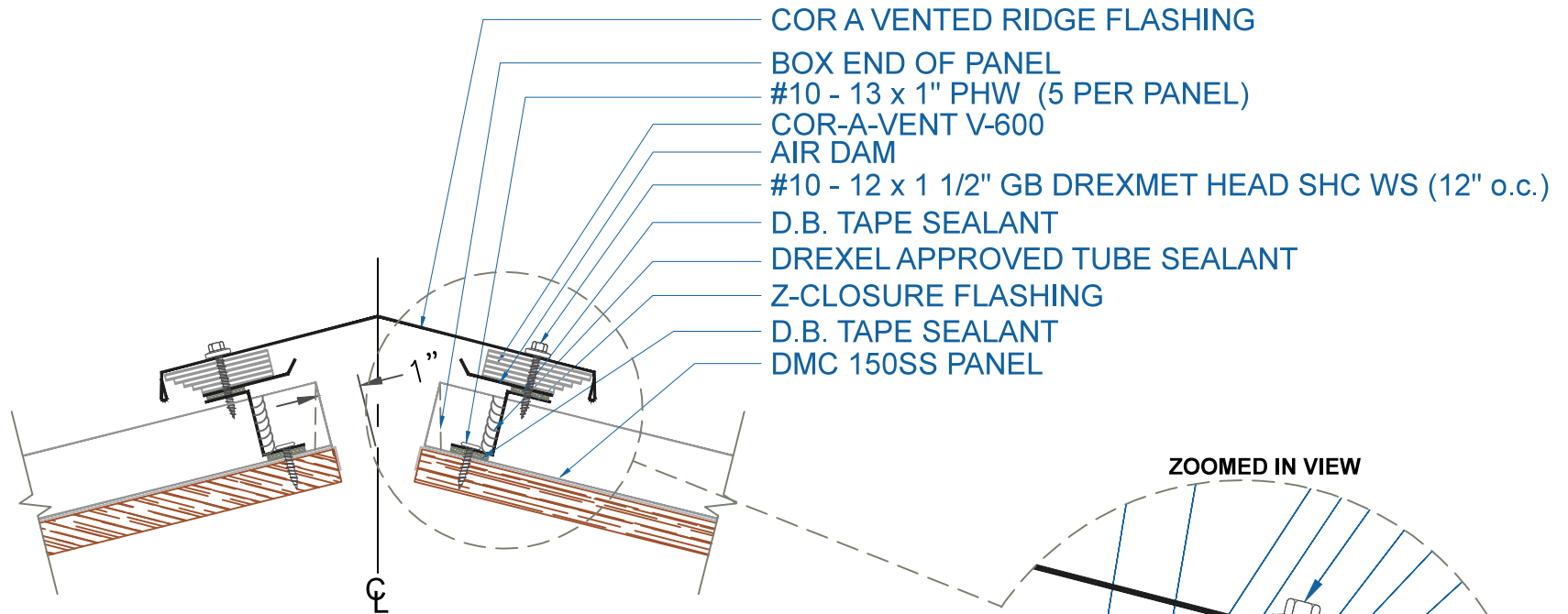
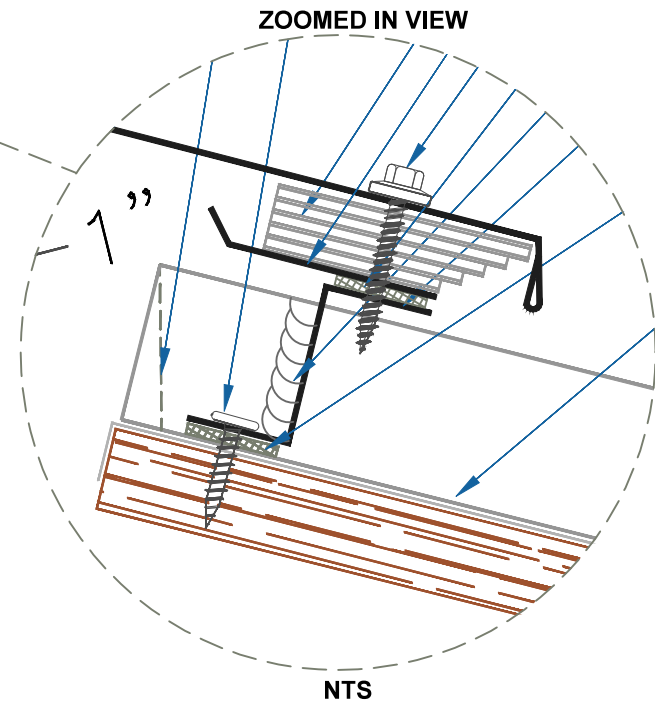
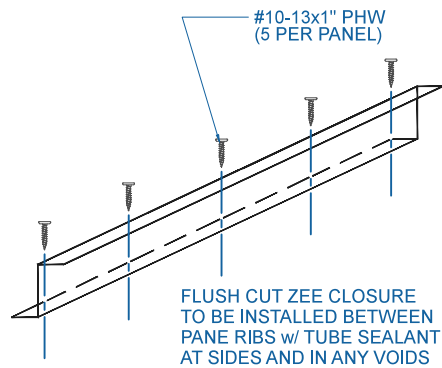


DMC 150SS - PLYWOOD



NOTE:
 1.) NET FREE AREA = 20 SQ IN/FT



COR-A-VENTED RIDGE / HIP

SCALE: 3" = 1'-0"

EFFECTIVE DATE: 1-9-13
 SUBJECT TO CHANGE WITHOUT NOTICE