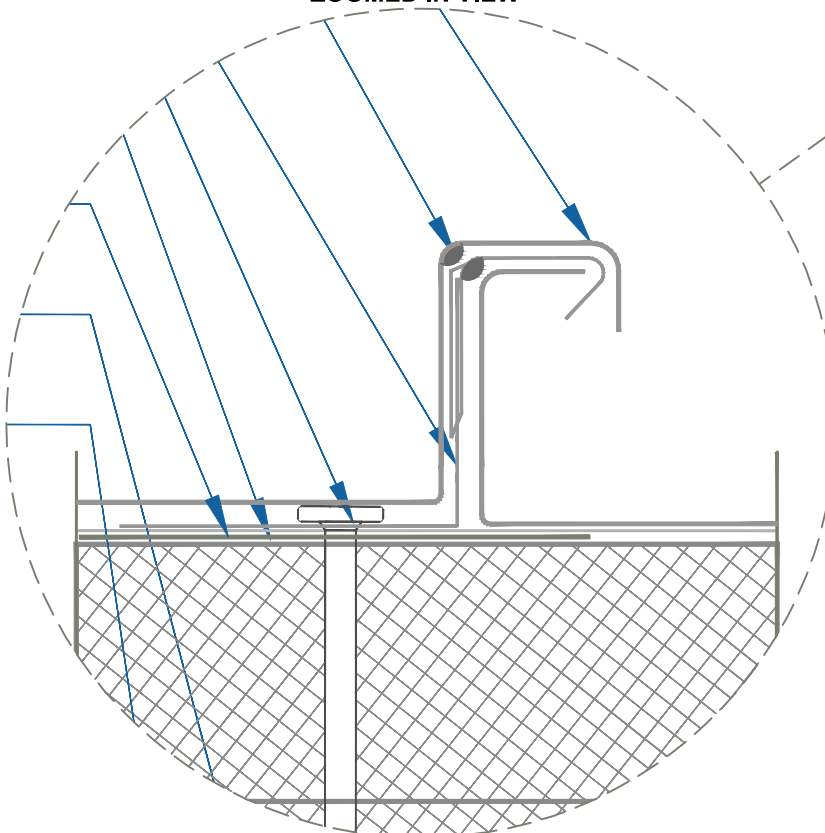


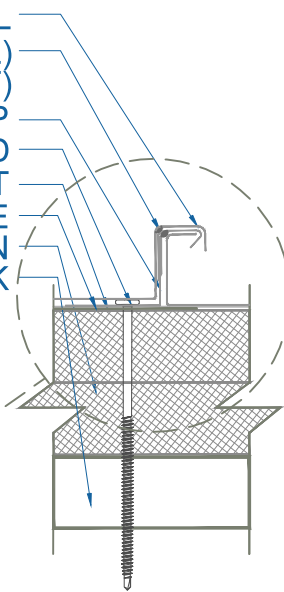
DMC 150SS - ISO w/ METAL DECK

- DMC 150SS PANEL
- DREXEL APPROVED SEALANT (OPTIONAL)
(FIELD OR MACHINE APPLIED SEALANT)
- DMC 150SS BUTTERFLY CLIP
- (2) #14 - 13 x ?" PHDD
- METSHIELD UNDERLAYMENT
- 3x3 - 18GA BEARING PLATE
- ISO INSULATION
- METAL DECK

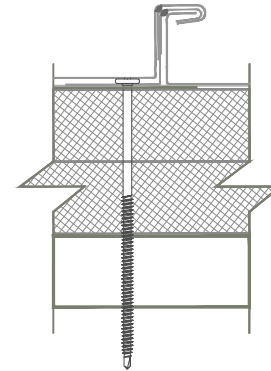
ZOOMED IN VIEW



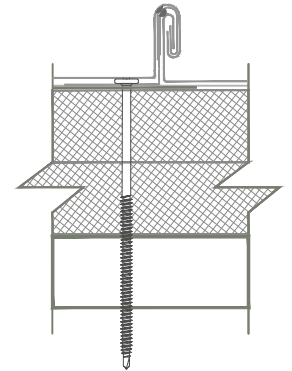
NTS



CROSS SECTION
BEFORE SEAMING



CROSS SECTION
90° SEAMING



CROSS SECTION
180° SEAMING

SEAMER TOOL RENTAL
 SEAMER TOOLS, INC.
 8265 HIGHWAY 178
 OLIVE BRANCH, MS 38654
 PH:(662)895-1222
 FAX:(662)890-4775
 RENT@SEAMERTOOLS.COM

INSTALLATION DETAIL

SCALE: 3" = 1'-0"



EFFECTIVE DATE: 05-30-2013
 SUBJECT TO CHANGE WITHOUT NOTICE