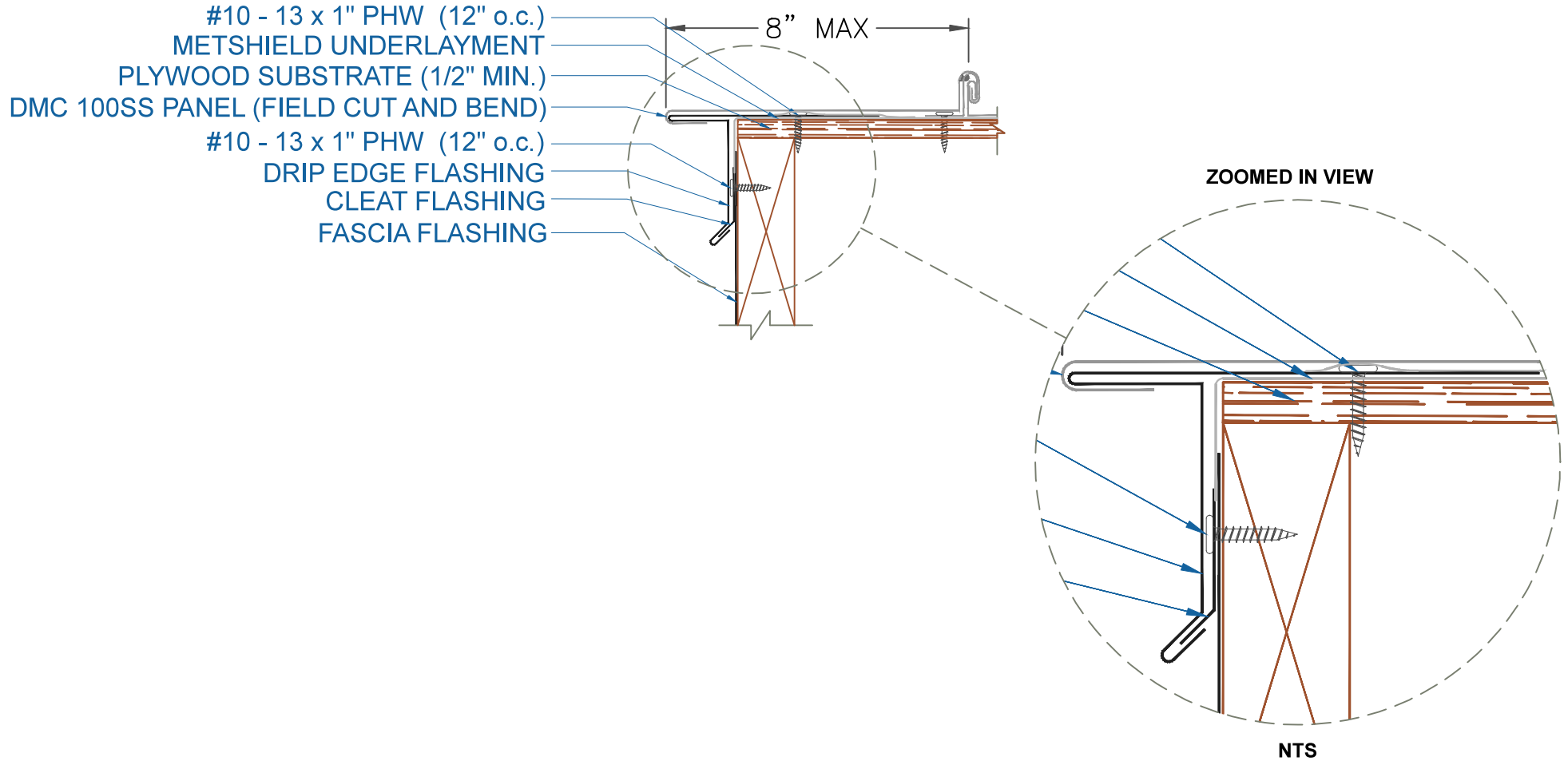


# DMC 100SS - PLYWOOD



## GABLE ALTERNATE / CURVED

EFFECTIVE DATE: 01-18-13  
SUBJECT TO CHANGE WITHOUT NOTICE

SCALE: 3" = 1'-0"

